



The 10W, 20W, 30W & 50W Economy LED Floodlights are available with a PIR sensor. These are available in both 6500K & 3100K colour temperatures, have a life expectancy of 35,000 hours and come with a 2 year guarantee.

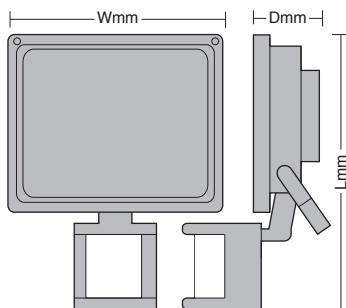


(image shown LEDFLE10BPIR)



Specification

Voltage: 220-240V 50/60Hz
 Wattage: 10W - 50W
 LED: 35mil Epiled
 Lumen Output: 750-4500lm's
 Life Expectancy: 35,000 hours
 Guarantee: 2 year
 IP Rating: IP65
 Beam Angle: 120°
 Ra: 70
 Detection Angle: 180°
 Material: Aluminium & tempered glass
 Working Temp.: -10°C - 40°C
 Extra Info: 100cm pre-wired cable. Allan key screws included.
 4th wire to facilitate manual override and control of additional flood lights.
 Reflector - Symmetrical.



| MODEL | WATTAGE | COLOUR TEMPERATURE | LUMEN OUTPUT | DIMENSIONS (L x W x D mm) |
|-----------------|---------|--------------------|--------------|---------------------------|
| LEDFLE10BPIR-31 | 10W | 3100K | 750lm's | 158 x 113 x 80mm |
| LEDFLE10BPIR | 10W | 6400K | 800lm's | 158 x 113 x 80mm |
| LEDFLE20BPIR-31 | 20W | 3100K | 1400lm's | 215 x 180 x 98mm |
| LEDFLE20BPIR | 20W | 6400K | 1500lm's | 215 x 180 x 98mm |
| LEDFLE30BPIR-31 | 30W | 3100K | 2250lm's | 234 x 225 x 108mm |
| LEDFLE30BPIR | 30W | 6400K | 2400lm's | 234 x 225 x 108mm |
| LEDFLE50BPIR-31 | 50W | 3100K | 4250lm's | 288 x 286 x 137mm |
| LEDFLE50BPIR | 50W | 6400K | 4500lm's | 288 x 286 x 137mm |

Specification Sheet - ECO LED Floodlights with PIR