

LED High Power Bulb

- High lumen output allows it to easily replace up to 250W HID
- To be used in existing luminaires with E40 sockets, of which the ballast needs to be removed
- Connects directly to 220-240V
- High lumen packages with high efficacy: up to 13,000 lm and 113 lm/W
- Enables both surface and hook mounting
- Up to 55% energy savings compared to traditional HID lamps
- 2,5 times longer lifetime compared to traditional HID lamps

25,000 h
L70B50

20,000 h
L80B50

Specifications

Item Code	Item Description	Equivalent to (W)	Power (W)	Lumen	Efficacy (lm/W)	CCT (K)
140062576	LED P HPB E40 90W 4000K 140D CT	HID 250W	90	8000	89	4000

Accessories



140062578
HPB Accessory Hook Mounted E40



140062579
HPB Accessory Surface Mounted E40

Packaging Information

Item		Box			
Item Code	Item Description	Dimensions (mm) (LxWxH)	Gross Weight (kg)	EAN	pc/box
140062576	LED P HPB E40 90W 4000K 140D CT	244x244x403	1.83	6945730452573	1
140062578	HPB Accessory Hook Mounted E40	134x134x210	0.76	6945730452597	1
140062578	HPB Accessory Hook Mounted E40	555x420x230	10.69	6945730454539	12
140062579	HPB Accessory Surface Mounted E40	174x174x108	0.59	6945730452603	1
140062579	HPB Accessory Surface Mounted E40	540x365x235	8.26	6945730454676	12

Technical Specifications

On-/Off-cycles	50,000
Colour consistency (SDCM)	6
Dimmable	No
Beam angle	140 °
Finishing	Grey
Colour rendering index CRI	≥ 80
Protection class	II
Control gear included	Yes
Glow wire test	650 °C
Driver failure rate (at 5,000 hrs)	1 %
Weight (kg/pc)	1.38
Power factor	≥ 0.90

Electrical Supply

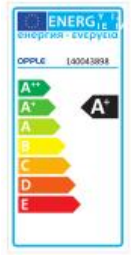
Frequency	50/60 Hz
Nominal voltage	220-240 V
Voltage type	AC

Mechanical Properties

Material housing	Aluminum
Optical material	Polycarbonate

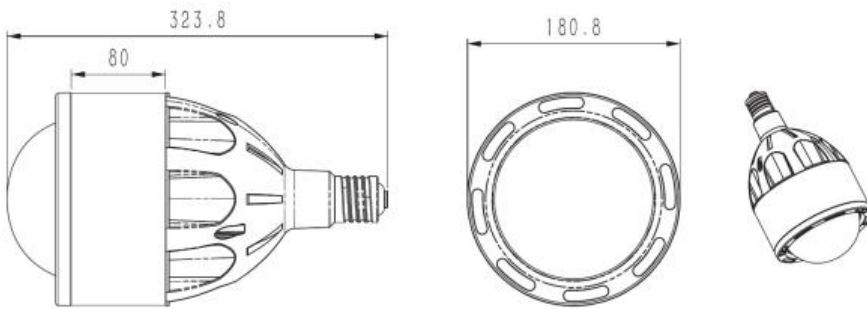
Ambient Conditions

Operating temperature	-20 - 35 °C
Storage environment	-25 - 50 °C

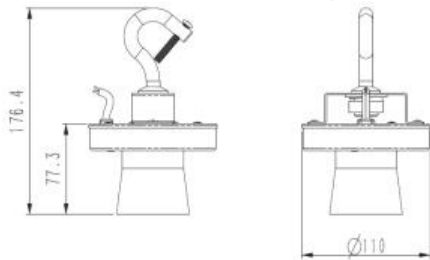


Dimensional Drawing (mm)

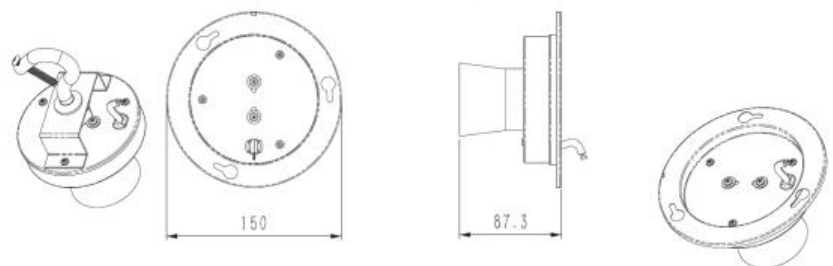
LED P HPB E40 90W



HPB Accessory Hook Mounted



HPB Accessory Surface Mounted



Photometric Data

LED P HPB E40 90W

