



LED Spot Performer Swing

- Powerful recessed, rotatable and tiltable spot
- Clean, compact design
- Die-cast aluminium housing
- Excellent colour rendering with CRI 90
- High efficiency up to 100 lm/W



Specifications

Item Code	Item Description	Equivalent to (W)	Power (W)	Lumen	Efficacy (lm/W)	CCT (K)	Beam angle	Weight (kg/pc)
541003068300	LEDSpotRS-P 35W-4000-60D-WH	HID 50W	35	3500	100	4000	60 °	1.07

Packaging Information

Item		Box			
Item Code	Item Description	Dimensions (mm) (LxWxH)	Gross Weight (kg)	EAN	pc/box
541003068300	LEDSpotRS-P 35W-4000-60D-WH	200x200x150	1.39	6941408808277	1

Technical Specifications

Lifespan (L70B50)	50,000 h
Lifespan (L80B50)	30,000 h
On-/Off-cycles	100,000
Colour consistency (SDCM)	3
Dimmable	No
Maximum tilt angle	40 °
Finishing	White
Colour rendering index CRI	≥ 90
Degree of protection (IP)	IP20
Impact strength	IK03
Protection class	II
Risk group	RG0
Control gear included	Yes
Glow wire test	650 °C
Driver failure rate (at 5,000 hrs)	0.5 %
Power factor	≥ 0.90

Electrical Supply

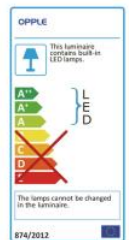
Frequency	50/60 Hz
Nominal voltage	220-240 V AC
DC input voltage	No

Mechanical Properties

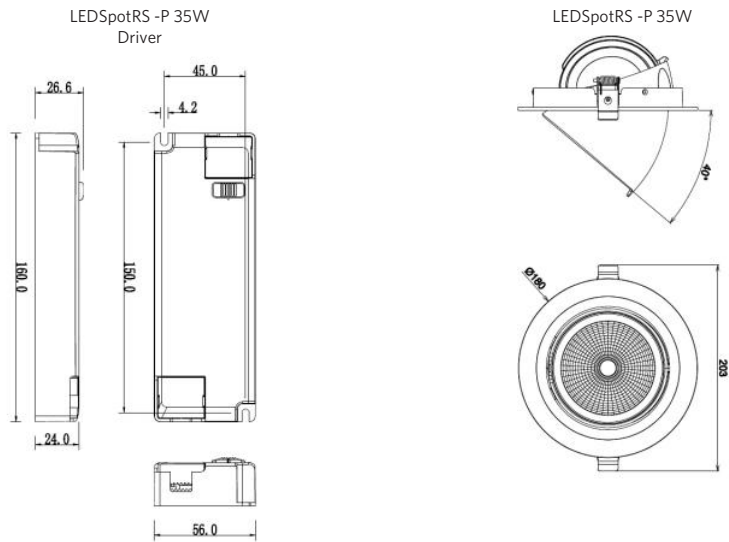
Material housing	Aluminium
Optical material	Coated Polycarbonate

Ambient Conditions

Operating temperature	-10 ~ 45 °C
Application temperature	25 °C
Storage environment	-25 ~ 50 °C



Dimensional Drawing (mm)



Installation Opening Drawing (mm)

LEDSpotRS -P 35W
Ø160-175

