

## LED Downlight Performer MW

- Available as wireless Smart Lighting solution (BLE)
- Unique optical lens concept with matte white (MW) reflector and low glare
- Low luminaire height (max 73mm)
- Direct replacement for compact fluorescent downlights - saving over 60% of energy costs
- IP44 (light output side)
- Common cut-out diameters of 150mm and 200mm
- Provided with protective foil in order to protect the downlight against dust and dirt during the assembly
- Suitable for retrofitting due to available adapter ring sizes



## Specifications

Item Code	Item Description	Equivalent to (W)	Power (W)	Lumen	Efficacy (lm/W)	UGR	CCT (K)	Weight (kg/pc)
140063620	LEDDownlightRc-P-MW R150-11.5W-BLE-4000	CFL 1x18W	11.5	1200	102	19	4000	0.45

Available on request with 5- or 2+3 pole Wieland GST18i connector. Emergency lighting available on request. BLE versions are not compatible with surface module accessories.

## Packaging Information

Item		Box			
Item Code	Item Description	Dimensions (mm) (LxWxH)	Gross Weight (kg)	EAN	pc/box
140063620	LEDDownlightRc-P-MW R150-11.5W-BLE-4000	200x200x103	0.65	6945730414533	1



## Technical Specifications

Lifespan (L70B50)	60,000 h
Lifespan (L80B50)	40,000 h
On-/Off-cycles	100,000
Colour consistency (SDCM)	4
Dimmable	Yes (DALI/BLE)
Beam angle	70 °
Finishing	White RAL9003
Colour rendering index CRI	≥ 80
Degree of protection (IP)	IP44
IP recessed part	IP20
Impact strength	IK02
Protection class	II
Risk group	RG0 / RG1 (23W & 33W)
Control gear included	Yes
Glow wire test	650 °C
Driver failure rate (at 5,000 hrs)	1 %
Power factor	≥ 0.90

## Electrical Supply

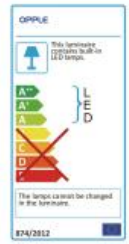
Frequency	50/60 Hz
Nominal voltage	220-240 V AC
DC input voltage	Yes, see Appendix 2

## Mechanical Properties

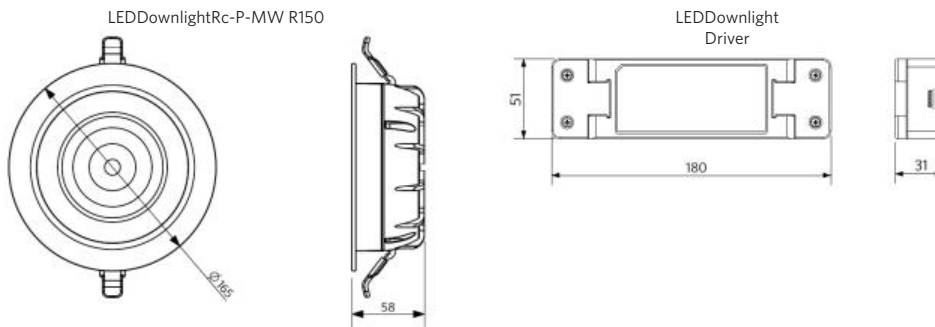
Material housing	Die-casted Aluminum
Optical material	Polycarbonate

## Ambient Conditions

Operating temperature	-10 ~ 40 °C
Application temperature	25 °C
Storage environment	-25 ~ 50 °C

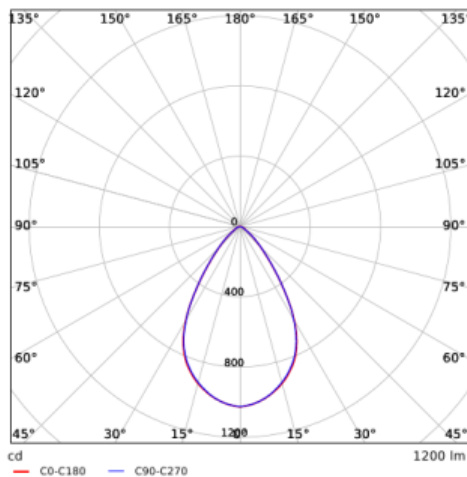


## Dimensional Drawing (mm)



## Photometric Data

LEDDownlightRc-P-MW R150-11.5W



## Installation Opening Drawing (mm)

LEDDownlightRc-P-MW R150  
Ø150

